

# HTI-UC390

## 8MP Web Camera



- 4K UHD Image Sensor  
Support multiple resolutions: 2160P@30fps/25fps, 1080P@30fps/25fps to best support the video quality, and its diagonal field of view can be up to 120°.
- Unified Interface USB 2.0  
Support plug and play, provides power supply, video and audio functions.
- Built-in Microphone  
Omnidirectional built-in microphone with 4 meters pickup distance, provides business-class audio performance.
- Low Light Performance  
The ultra-high SNR CMOS image sensor can effectively reduce image noise at low light conditions. Meanwhile, 2D and 3D noise reduction algorithms are employed to sharply reduce image noise. So the images keep clean and clear even under ultra-low light conditions.
- Easy Installation  
Free to mount the camera on top of screen or on desktop.

### Product Overview

HTI-UC390 is a 4K UHD USB camera that provides a professional-quality video and audio experience for users. It not only equips with best-in-class camera whose diagonal field of view is up to 120°, but also integrates built-in omnidirectional microphone that can clearly pick up audio from up to 4 meters away. HTI-UC390 can work with mainstream video conferencing platforms such as Cisco Webex, Zoom, Google Meet, Microsoft Teams, Skype and Vidyo, providing high compatibility and seamless integration for people in both business and life scenarios.

### Technical Specification

#### Camera

|                         |   |
|-------------------------|---|
| Sensor Type             | 1/2.8 inch CMOS, 8M pixel   |
| Video Format            | YUV: 480P@30fps/25fps; 360P@30fps/25fps<br>MJPEG: 1080P@30fps/25fps; 720P@30fps/25fps;<br>480P@30fps/25fps; 360P@30fps/25fps<br>H.264: 2160P@30fps/25fps; 1080P@30fps/25fps;<br>720P@30fps/25fps; 480P@30fps/25fps;<br>360P@30fps/25fps |
| Compression             | H.264/MJPEG/YUV   |
| UVC Protocol            | UVC1.1/1.5  |
| Field of View (H) / (D) | Horizontal: 110°; Diagonal: 120°  |
| Delay                   | Image lag ≤ 170ms   |
| Exposure                | Auto, BLC   |
| Shutter Speed           | 1/30s ~ 1/10000s  |

|                         |                                 |
|-------------------------|---------------------------------|
| Digital Noise Reduction | 2D & 3D Digital Noise Reduction |
| SNR                     | ≥38dB                           |
| White Balance           | Auto                            |
| Focal Length            | 2.2 mm±5%                       |
| Lens Interface          | M12                             |
| Distortion              | <1%                             |
| Close-up distance       | 0.35 m                          |

#### Microphone

|                     |   |
|---------------------|---|
| Position            | Built-in                                  |
| Pickup Distance     | Omnidirectional, Pickup Distance Up to 4m |
| Audio Coding Format | 16KHZ PCM                                 |
| Beamforming         | Support                                   |

#### General

|                          |                      |
|--------------------------|----------------------|
| Video Interface          | 1 * USB2.0           |
| USB Cable Length         | 3 m                  |
| Working Status Indicator | Power-on White Light |
| Privacy Shade            | Support              |
| Power Supply             | USB 5V               |

|                             |   |
|-----------------------------|---|
| Color                       | Black   |
| Max. Input Current          | 1A  |
| Max. Power Consumption      | Max 5W  |
| Dimension                   | 180mm*55mm*49mm(7.09"*2.17"*1.93")                          |
| Net Weight                  | 325g  |
| Box Dimension               | 221mm*140.5mm*82mm(8.7"*5.53"*3.23")                        |
| Box Weight (with 1 product) | 708g  |
| Protective Box Dimension    | 505mm*235mm*315mm(19.88"*9.25"*12.4")                       |
| Packaging Method            | 12 in 1   |
| Operating Temperature       | 0~+50°(+32°F~+122°F)  |
| Operating Humidity          | < 80% (Noncondensing)                                       |
| Continuous Operating Time   | ≥ 72 hours of continuous normal work (plug and play, 7*24h) |
| Storage Temperature         | -10~+60°(-14°F~+140°F)                                      |
| Storage Humidity            | < 95% (Noncondensing)                                       |

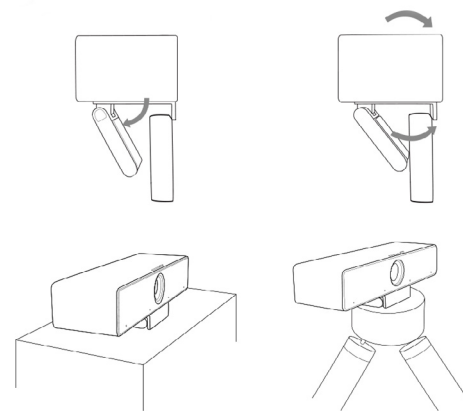
**System Requirements**

|    |   |
|----|---|
| OS | Windows® 7 , Windows 8.1, Windows 10 or Higher<br>macOS™ 10.10 or Higher<br>Linux (UVC Protocol Required) |
|----|---|

**Certifications**

|                |   |
|----------------|---|
| Certifications | CE(EMC): EN 55032:2015+A11:2020,Class B; EN IEC 61000-3-2:2019; EN 61000-3-3:2013+A1:2019; EN 55024:2010+A1:2015; EN 55035:2017+A11:2020; EN 50130-4:2011+A1:2014<br>CE(LVD): EN 62368-1:2014+A11:2017; IEC 62368-1:2014 (Second Edition)<br>FCC: 47 CFR FCC Part15, Subpart B, Class B |
|----------------|---|

**Installation**



**Dimensions (mm[inch])**

